

A171W Series
Barrier Free, Wall Mounted Hand Washing Station



A171100W / A171400W / A171100W-PS / A17400W-PS /
A171100W-SSO / A17400W-SSO

TECHNICAL ASSISTANCE TOLL FREE TELEPHONE NUMBER:
1.800.591.9360

Technical Assistance Email: fieldservice@acorneng.com

NOTES TO INSTALLER:

1. Please leave this documentation with the owner of the fixture when finished.
2. Please read this entire booklet before beginning the installation.
3. Check your installation for compliance with plumbing, electrical and other applicable codes.

LIMITED WARRANTY - UNITED STATES & CANADA

Murdock warrants that its products are free from defects in material or workmanship under normal use and service for a period of one year from date of original shipment or for 18 months after the date of shipment from the factory, whichever comes first. Murdock's liability under this warranty shall be discharged solely by replacement or repair of defective material, provided Murdock is notified in writing within one year from date of shipment, F.O.B. Industry, California.

This warranty does not cover installation or labor charges and does not apply to materials, which have been damaged by other causes such as mishandling or improper care or abnormal use. The repair or replacement of the defective materials shall constitute the sole remedy of the Buyer and the sole remedy of Murdock under this warranty. Murdock shall not be liable under any circumstances for incidental, consequential or direct charges caused by defects in the materials, or any delay in the repair or replacement thereof. This warranty is in lieu of all other warranties expressed or implied. Product maintenance instructions are issued with each unit and disregard or non-compliance with these instructions will constitute an abnormal use condition and void the warranty. Stainless steel must be protected on job site during construction and must be properly maintained after the water has been introduced into the water cooler or drinking fountain, or Murdock's limited warranty is void.

LIMITED EXPORT WARRANTY - One year on parts only.

Murdock assumes no responsibility for use of void or suspended data. © Copyright Murdock, City of Industry, CA Member of Morris Group International. Please visit www.murdockmfg.com for most current specifications.

COMPLIES WITH
STANDARDS



Federal
Public Law
111-380
(No Lead)



Member of
MORRIS GROUP
INTERNATIONAL

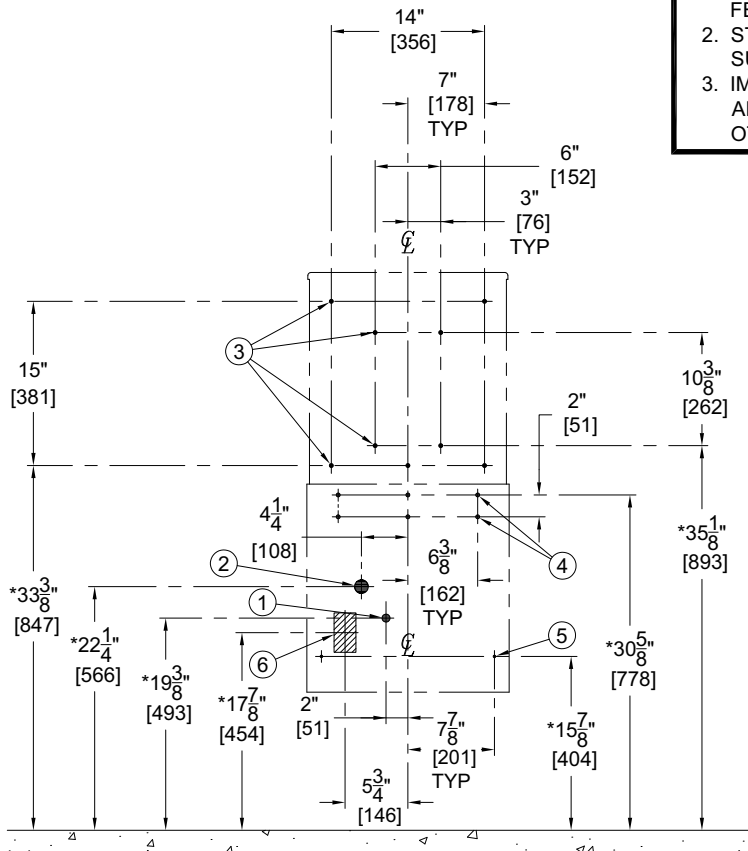
MURDOCK
15125 Proctor Ave.
City of Industry, CA
91746 U.S.A.
Phone 800-591-9360
626-336-4561
Fax 626-855-4894

www.murdockmfg.com

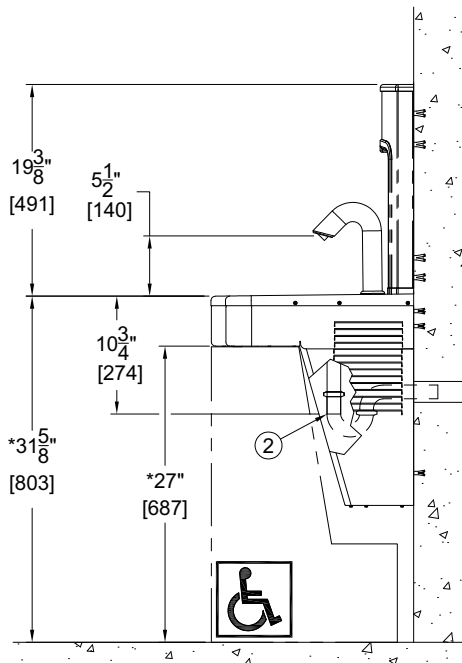
ROUGHING-IN AND DIMENSIONAL DRAWING

(* Prior to roughing consult with local, state, and federal codes for proper mounting height.)

GENERAL NOTES:
 * 1. DIMENSIONS SHOWN ARE FOR ADA ADULT HEIGHT. ADJUST VERTICAL DIMENSIONS AS NECESSARY TO COMPLY WITH FEDERAL, STATE, & LOCAL CODES
 2. STOP VALVE, P-TRAP, & ELECTRICAL OUTLET NOT SUPPLIED
 3. IMPORTANT: UNITS MUST BE ATTACHED TO WALL WITH APPROPRIATE ANCHORS AND SCREWS (PROVIDED BY OTHERS)



ROUGH IN VIEW FROM FIXTURE SIDE



ROUGH-IN FOR THE FOLLOWING:

1. 1/2" NPS SUPPLY INLET.
NOTE: FOR RETROFIT INSTALLATION INSTALLER IS RESPONSIBLE FOR ADAPTING TO REQUIRED CONNECTION
2. 1-1/4" O.D. WASTE OUTLET FOR P-TRAP BY, OTHERS.
1-1/4" O.D. TAILPIECE PROVIDED.
3. Ø0.281" REAR SPLASH PUNCHING, 9 PLACES FOR ANCHORING HARDWARE BY OTHERS.
NOTE: FOR RETROFIT INSTALLATION, TOP AND BOTTOM MOUNTING LOCATIONS MAY MATCH EXISTING FIXTURE. FOR NEW INSTALLS, SELECT (4) OR MORE MOUNTING POINTS TO BEST SUIT SITE CONDITIONS.
4. Ø3/8" HANGER BRACKET PUNCHING, (6) PLACES FOR ANCHORING HARDWARE BY OTHERS
5. Ø1/4" LOWER FRAME MOUNTING PUNCHING, (2) PLACES FOR ANCHORING HARDWARE BY OTHERS

6. ELECTRICAL SERVICE ROUGH-IN (OPTIONAL).
NOTE: REQUIRED FOR SENSOR OPERATED FAUCET WHEN INTENDED USE IS WITH PLUG-IN TRANSFORMER (PROVIDED).
NOTE: FAUCET IS ALSO PROVIDED WITH BATTERY PACK FOR OPERATION WITHOUT ELECTRICAL CONNECTION.

ELECTRICAL REQUIREMENTS FOR PLUG-IN FAUCET:
Input: 100-240VAC, 50-60 Hz.
Output: 9VDC, 0.8 Amps.
NOTE: OPTIONAL HOT WATER HEATER ELECTRICAL SERVICE REQUIREMENTS.
OPTION H120 - CHRONOMITE® MODEL CM12L/120:
110/120V, 12 AMPS, 1440 WATTS
OPTION H240 - CHRONOMITE® MODEL CM20L/240:
220/240V, 20 AMPS, 4800 WATTS

PRIOR TO INSTALLATION:

Important: some options may slightly alter installation. To ensure proper installation review the manual thoroughly and verify rough-ins before beginning work. File this manual with the owner or maintenance personnel upon completion of installation.

- Fixture mounting requirements: industry standard wall construction, adequate to support the fixture and installer provided wall anchors sufficient to secure the fixture.
- Inspect fixture and all parts for damages.

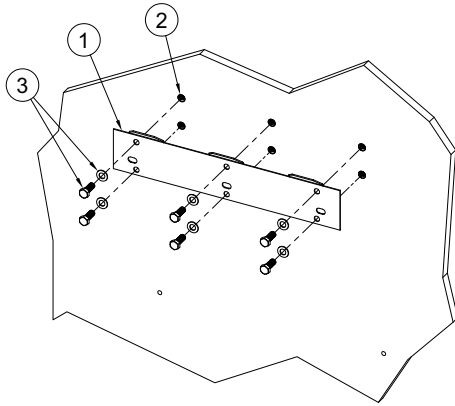
IMPORTANT:

1. Waste P-Trap, Water Supply Service Angle Stop Valve and 2" x 4" Electrical Plug-In Receptacle to be supplied by others in accordance with local codes. A P-Trap (by others) must be used for the drain connection.
2. Water supply is 1/2" NPS Female. Water supply inlet will accommodate 1/2" NPT Male adapter
3. Waste is 1-1/4" O.D. Tailpiece.
4. Completely flush supply lines of all foreign debris before connecting to fixture.
5. **Warranty is voided** if installation is not made following current Murdock Mfg. installation instructions and if components are assembled to the fixture that is not approved by Murdock Mfg.
6. Fixture operates within water pressure range of 30 to 100 PSIG (207 to 290 kPa). Murdock Mfg. will not warranty fixtures damaged when connected to supply lines with flow pressure lower than 30 PSIG (207 kPa) or higher than 100 PSIG (290 kPa). A pressure regulator must be furnished by others on supply line if inlet pressure is greater than 100 PSIG (290 kPa).
7. **Per UPC 609.10-** *All building water supply systems in which quick acting valves are installed shall be provided with devices to absorb the hammer caused by high pressure resulting from the quick closing of the valve. These pressure-absorbing devices shall be approved mechanical devices. Water pressure-absorbing devices will be installed as close as possible to the quick closing valve.*

INSTALLATION:

1. Mount hanger bracket to wall horizontally level as shown in Roughing-In and Dimensional Drawing.
NOTE: Adjust height of bracket if deck (rim) height is required to differ from dimensions shown.
WARNING: Hanger Bracket **MUST** be securely anchored to wall with fasteners sufficient to support 3 times weight of the unit. **If wall can not provide adequate support, order and install a fixture support carrier.**
2. Remove the bottom cover from the Hand-Washing Station and set aside in a safe place. Save the screws in a secure location for re-use in later stages of installation.
3. Hang Wash-N-Go Cabinet onto Mounting Bracket by lining up the slots on the Cabinet Frame to the Mounting Bracket Tabs and slide the cabinet onto tabs until the Cabinet rests on the wall. Verify drinking fixture is level, left to right **AND** front to back from bottom of unit.
NOTE: Draining may be adversely affected if unit is not square and level. Bottom of unit and louvers should be used as reference to verify unit is square and plumb. Shim lower rear mounting points to level unit if necessary.
4. Anchor fixture to wall at lower mounting points in base.
5. Thoroughly flush the 1/2" NPS supply line and then connect 1/2" flex hose to water supply angle stop valve (by others).
6. Make up 1-1/4" O.D. waste Tailpiece to P-Trap (by others) to waste connection.

1 Mount hanger bracket to wall horizontally level as shown and secure with installer provided wall anchors and anchoring hardware.

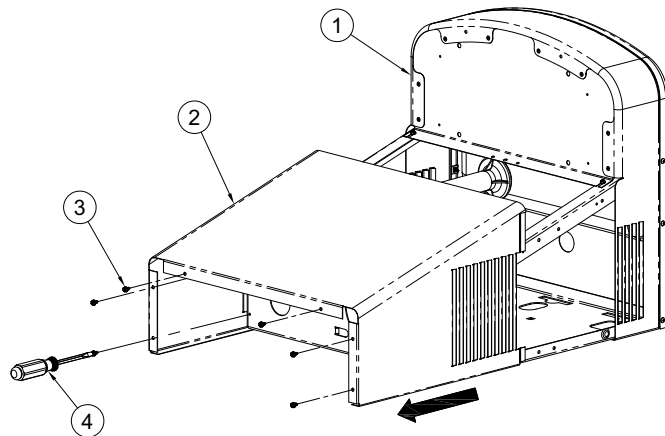


- ① Mounting Bracket
- ② Installer Provided Wall Anchors
- ③ Installer Provided Mounting Hardware

NOTE: Adjust height of bracket if deck (rim) height is required to differ from dimensions shown.

WARNING: Hanger Bracket **MUST** be securely anchored to wall with fasteners sufficient to support 3 times weight of the unit. **If wall can not provide adequate support, order and install a fixture support carrier.**

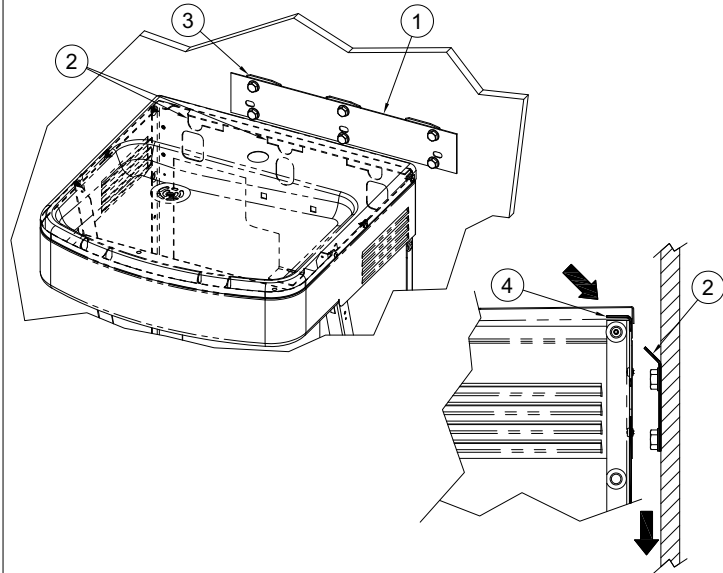
2 Using a Flathead Screwdriver remove the Bottom Cover from the Wash-N-Go Cabinet and set aside Bottom Cover and Screws in a safe place. Secure items in a safe location for re-use in later stages of installation.



- ① Wash-N-Go Cabinet
- ② Bottom Cover
- ③ Slotted Head Screws
- ④ Screwdriver by Others

WASH-N-GO!™ INSTALLATION CABINET TO WALL

3 Hang Wash-N-Go Cabinet onto Mounting Bracket by lining up the slots on the Cabinet Frame to the Mounting Bracket Tabs and slide the cabinet onto tabs until the Cabinet rests on the wall.

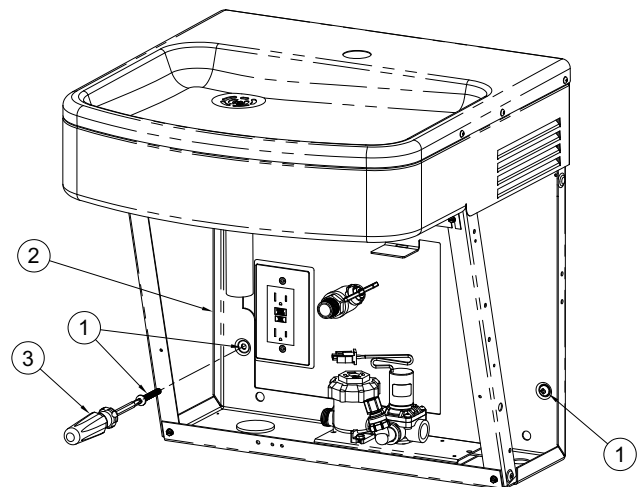


- ① Mounting Bracket
- ② Cabinet Frame Mounting Slots
- ③ Mounting Bracket Tabs
- ④ Cabinet Frame Mounting

IMPORTANT: Verify drinking fixture is level, left to right **AND** front to back from bottom of unit.

NOTE: Draining may be adversely affected if unit is not square and level. Bottom of unit and louvers should be used as reference to verify unit is square and plumb. Shim lower rear mounting points to level unit if necessary.

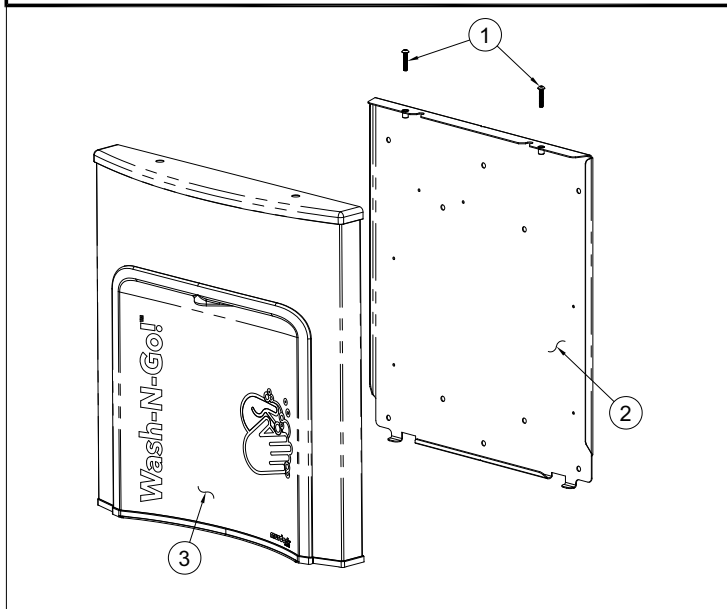
4 Anchor fixture to wall at lower mounting points in base with installer provided wall anchors and anchoring hardware.



- ① Installer Provided Wall Anchors and Anchoring Hardware
- ② Wash-N-Go Cabinet Mounting Frame
- ③ Screwdriver by Others

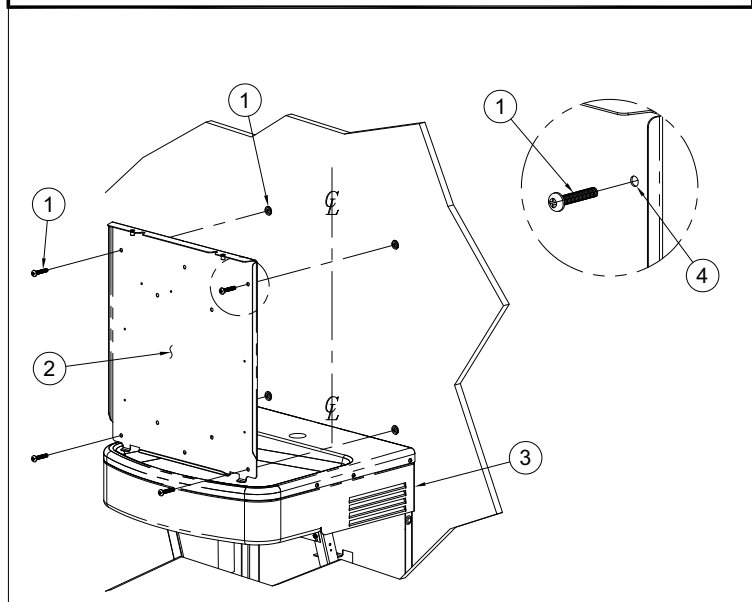
WASH-N-GO!™ BACKSPLASH INSTALLATION

5 With Wash-N-Go Cabinet installed per Installation Manual, disassemble Backsplash from Mounting Channel by removing Allen Head Screws.



- ① #10-32 x 1" Allen Head Screws
- ② Mounting Plate
- ③ Backsplash

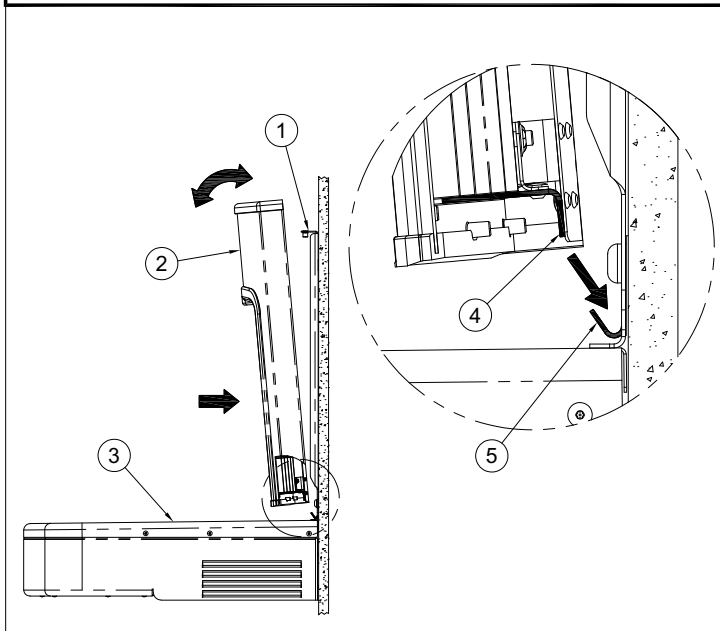
6 Center Mounting Channel on top of Deck and hold to finished wall and use it as a Template to mark and locate mounting holes for Installer Provided Wall Anchors and Anchoring Hardware. Secure Mounting Channel with Anchoring Hardware, by others.



- ① Installer Provided Wall Anchors and Anchoring Hardware
- ② Mounting Plate
- ③ Wash-N-Go Cabinet
- ④ Ø0.281 Mounting Holes For Installer Provided Hardware

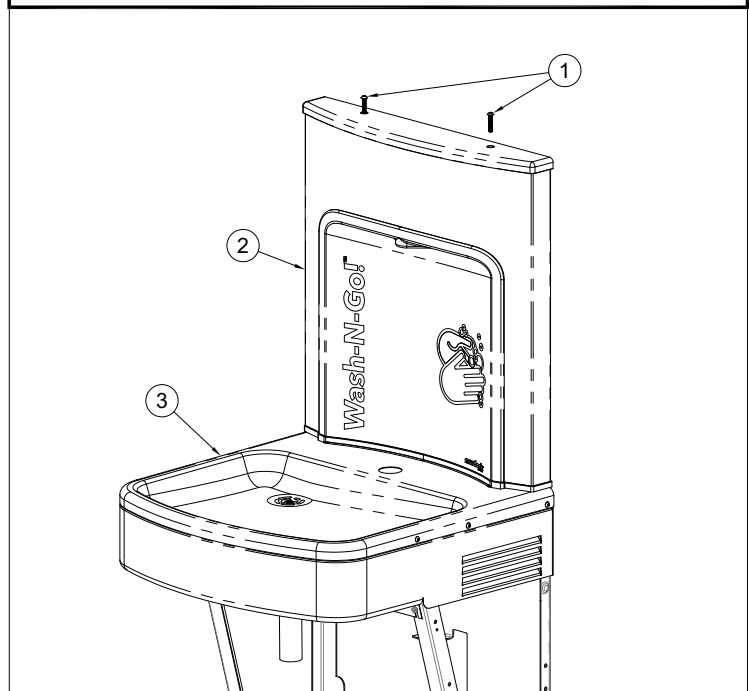
WASH-N-GO!™ BACKSPLASH INSTALLATION

7 Install Backsplash Housing to Mounting Channel. Angle Housing and engage Backsplash Housing Bottom Flange to Mounting Channel Flange and close unit.



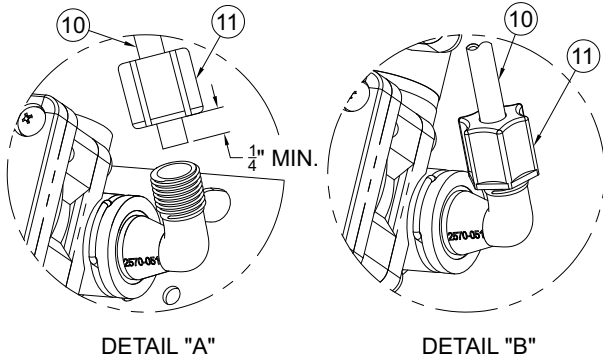
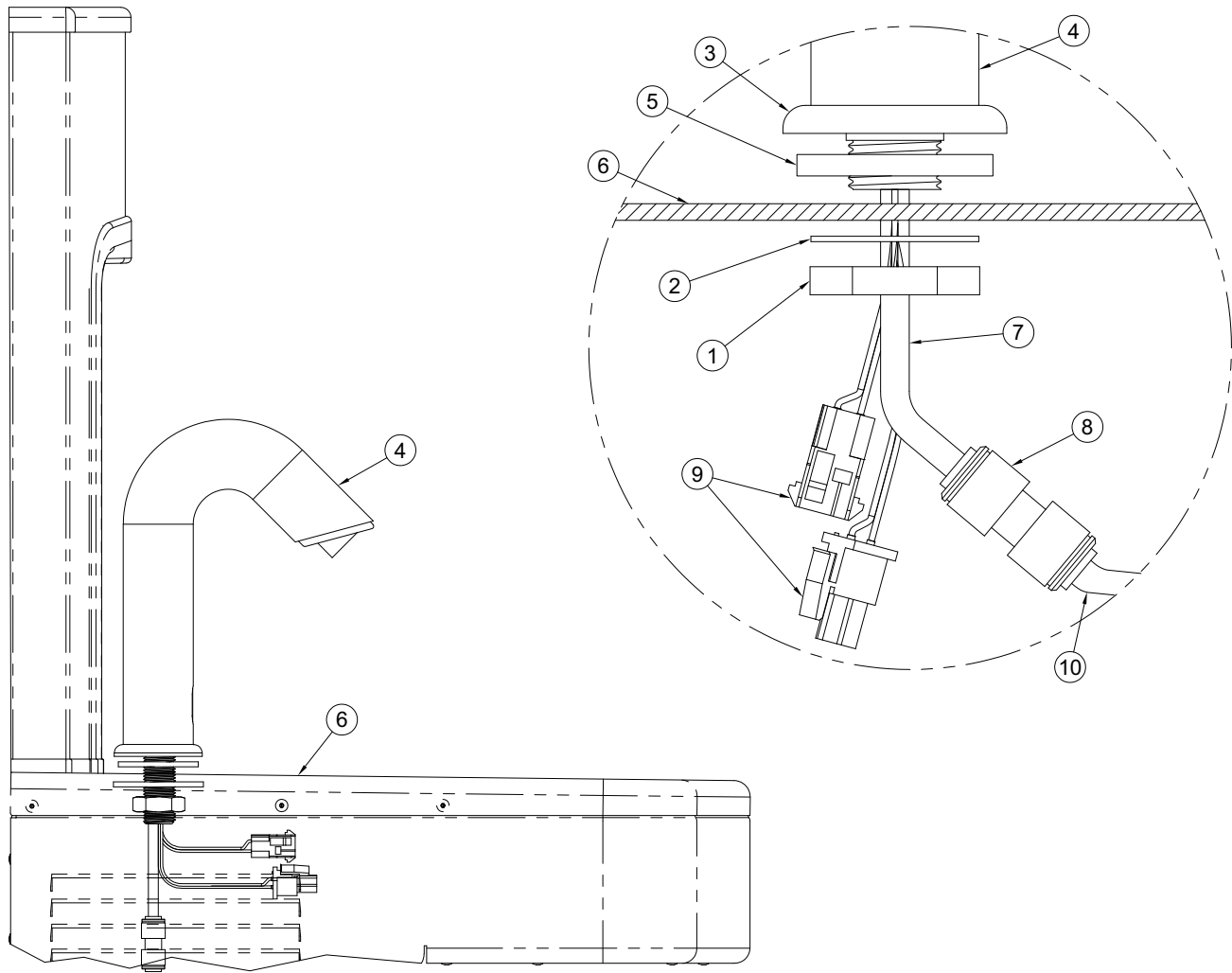
- ① Mounting Plate
- ② Backsplash Housing
- ③ Wash-N-Go Deck
- ④ Backsplash Housing Bottom Flange
- ⑤ Mounting Plate Flange

8 Secure Backsplash Housing to Mounting Channels using the Allen Head Screws from step 1.



- ① #10-32 x 1" Allen Head Screws
- ② Backsplash
- ③ Wash-N-Go Cabinet

WASH-N-GO!™ FAUCET INSTALLATION



INSTALLATION INSTRUCTIONS:

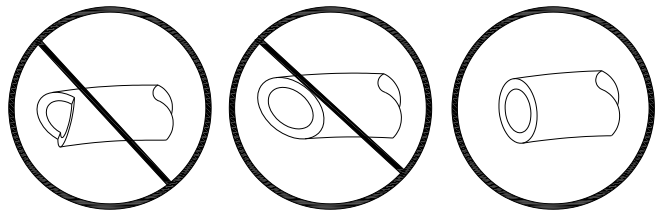
- A- REMOVE BRASS NUT ① AND WASHER ② FROM THE BASE ③ OF SPOUT ④. DO NOT REMOVE RUBBER GASKET ⑤.
- B- FROM ABOVE DECK ⑥ : MAKE SURE RUBBER GASKET ⑤ IS PROPERLY SEATED WITHIN THE BASE ③ OF SPOUT ④. FEED TUBE ⑦, UNION FITTING ⑧ AND SENSOR PLUGS ⑨ THRU PUNCHED OPENING. POSITION SPOUT ③ ON DECK ⑥ AND INSERT THRU THE DECK.
- C- FROM BELOW DECK ⑥ : REASSEMBLE BRASS NUT ① AND WASHER ② TO THE BASE ③ OF SPOUT ④. ENSURE THAT GASKET ⑤ SEALS PROPERLY BEFORE TIGHTENING.
- D- CONNECT POLYETHYLENE 1/4" O.D. WATER LINE ⑩ TO UNION FITTING ⑧. CONNECT TO THE FERRULE NUT ⑪ ON THE VALVE ASSEMBLY, AS SHOWN IN DETAIL "A" AND "B".

PUSH-IN FITTING INSTALLATION

NOTE: FITTINGS AND TUBE SHOULD BE KEPT CLEAN, BAGGED AND UNDAMAGED PRIOR TO INSTALLATION.

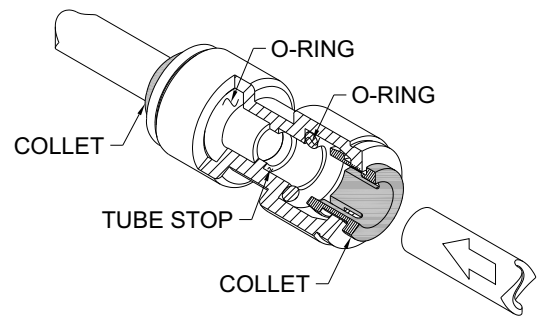
TO CUT TUBE:

Cut to fit length of 1/4" PE tubing and remove any burrs or sharp edges. Ensure that the outside diameter is free from score marks. Tube ends should be square.

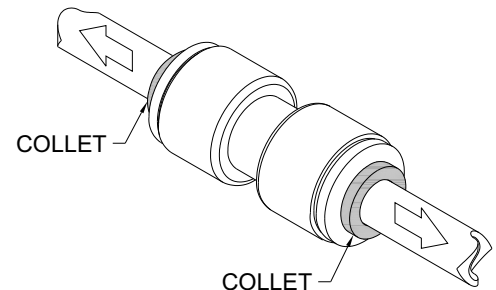


INSERTING THE TUBE:

1. Firmly and fully insert the tubing end into the push-in fitting up to the tube stop located approximately 1/2" deep.

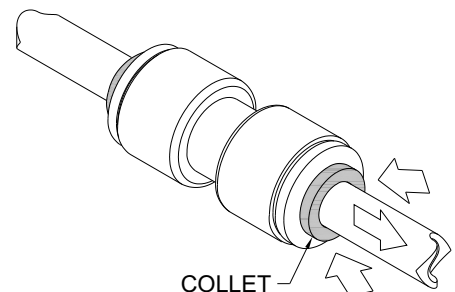


2. Pull on the fitted tubing to ensure it is secure. Tube should not come free from the fitting. Water test the connection assembly prior to leaving the site to ensure there are no leaks.

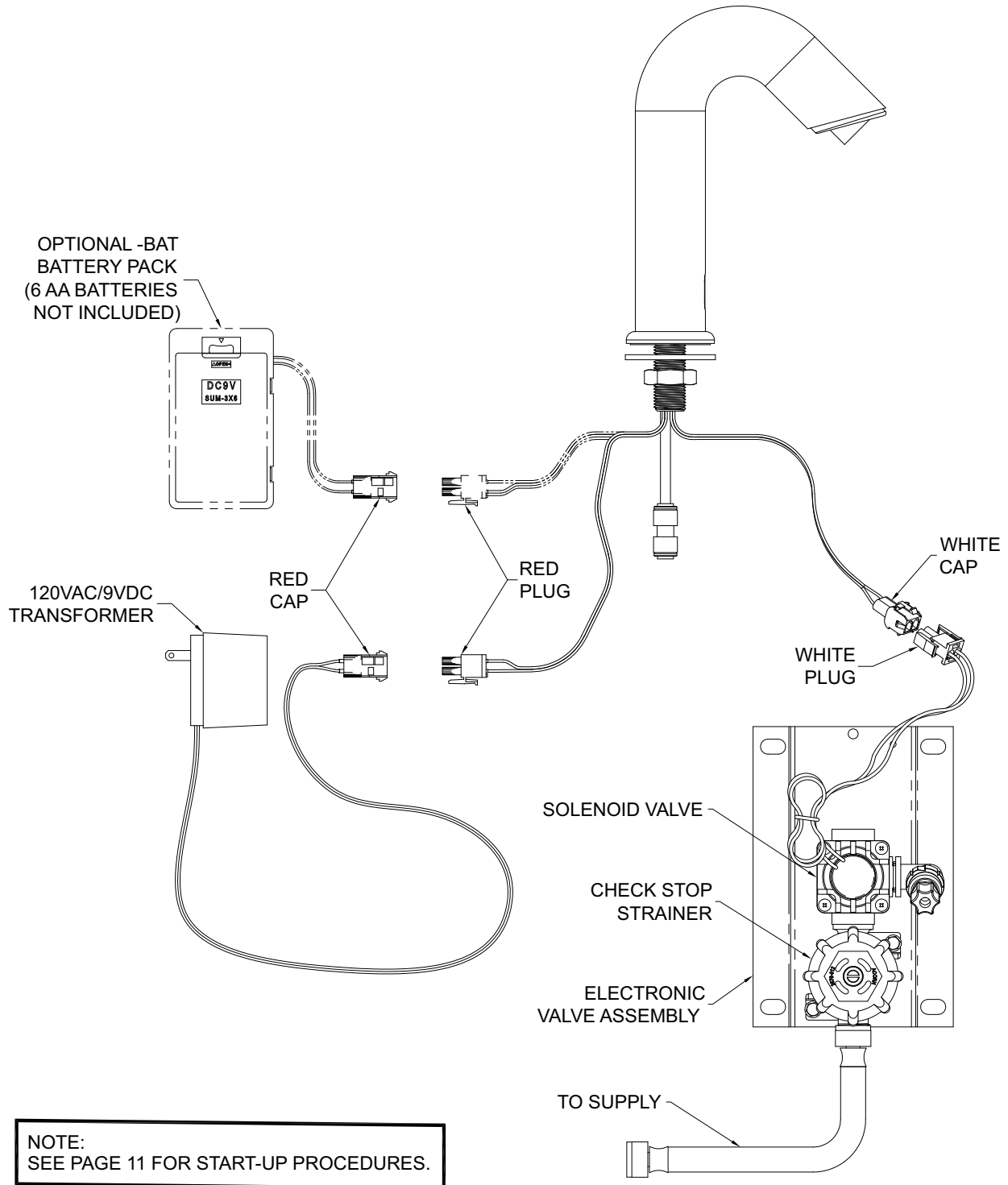


DISCONNECTING THE TUBE:

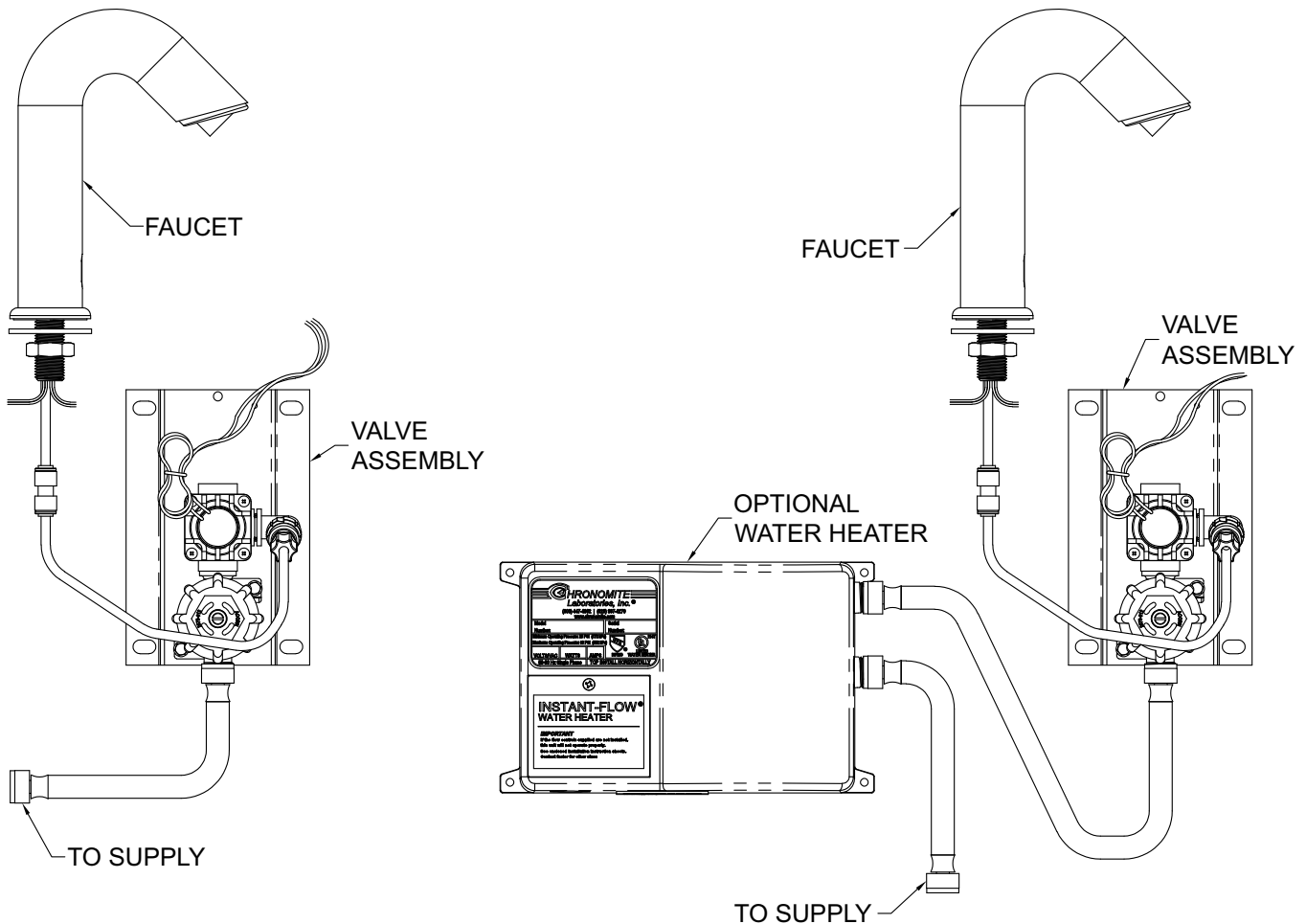
To disconnect the tube from the fitting ensure that the water line is depressurized. Push collet square towards the push-in fitting body and hold. While holding the collet in, pull on the PE tubing to remove from the push-in fitting.



WASH-N-GO![™] FAUCET ELECTRICAL



WASH-N-GO!™ FAUCET PIPING



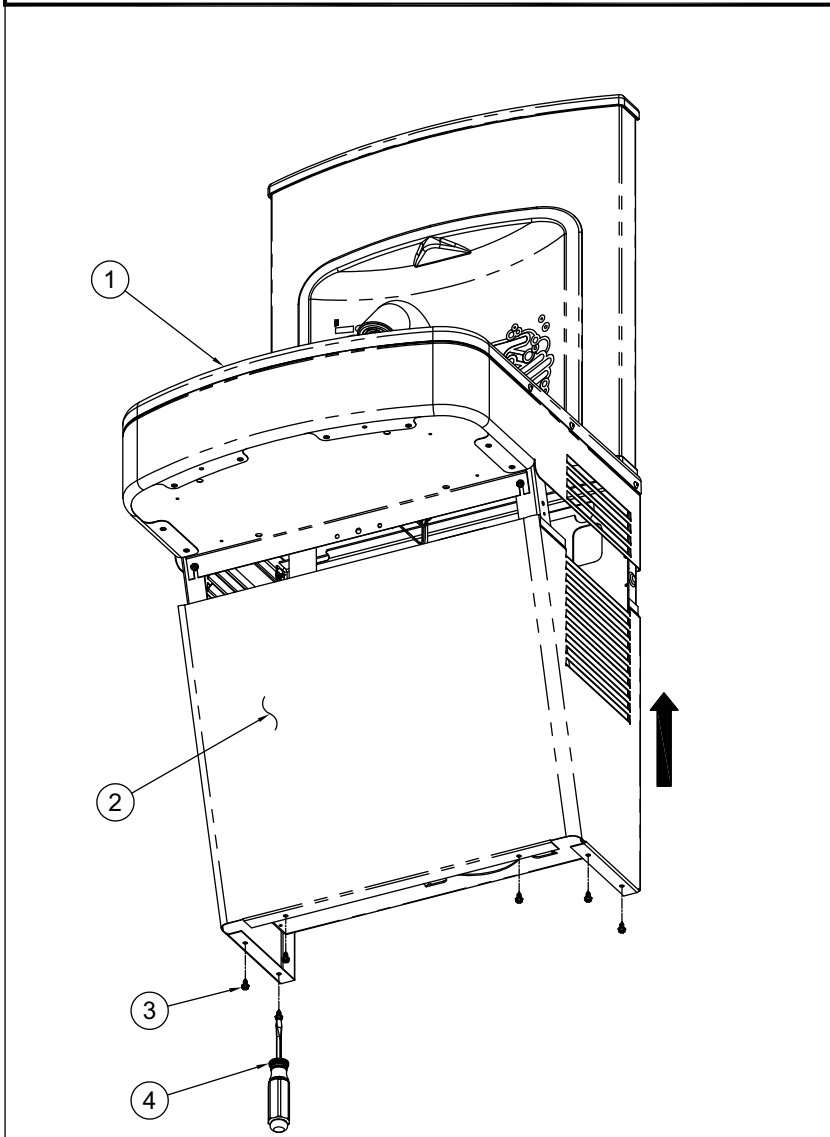
START UP:

1. Before assembling bottom cover to Wash-N-Go!™ frame, but after thoroughly flushing the supply line and connecting it to the fixture, turn on building water supply and check all connections for leak.
2. Recheck all water and drain connections with water flowing through system.
3. Assemble bottom cover to Wash-N-Go!™ frame with screws furnished.

WASH-N-GO![™] BOTTOM COVER INSTALLATION

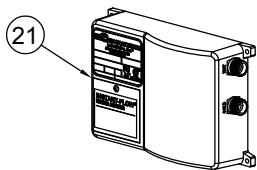
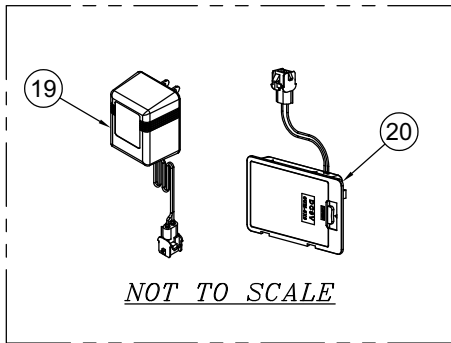
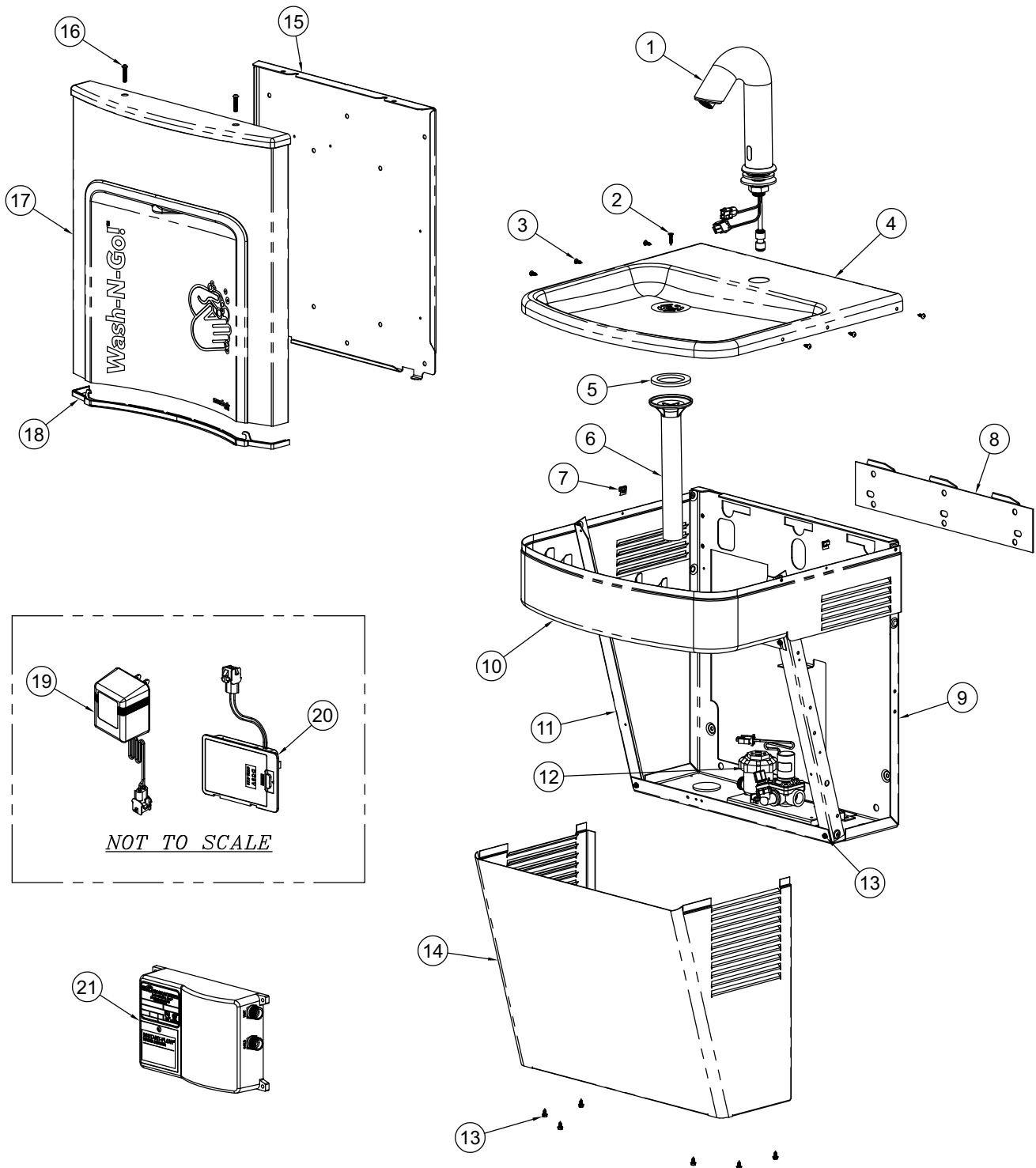
9 Once all connections are made and nothing is leaking reinstall the Bottom Cover by pushing it against the wall then pushing it up and secure with the Screws.

- ① Assembled Wash-N-Go Fixture
- ② Bottom Cover
- ③ Slotted Head Screws
- ④ Screwdriver by Others



A171W WASH-N-GO!™ PARTS BREAKDOWN

NOTE: See next page for table of part numbers corresponding to the drawing below



A171W WASH-N-GO![™] PARTS BREAKDOWN TABLE

NOTE: See previous page for fixture drawing corresponding to table of parts below.

ITEM #	PART NUMBER	DESCRIPTION
1	2993-230-001	9VDC SENSOR OPERATED "J" SPOUT w/ 1.0 GPM
2	0124-008-000	#8 x 3/4" LONG TORX FLAT HEAD SCREW
3	0124-036-000	#8 x 1/2" LONG TORX HEAD SCREW
4	7003-511-199	BASIN DECK w/ H1 PUNCHING
	7003-512-199	BASIN DECK FOR PUMP SOAP OPTION
	7003-513-199	BASIN DECK FOR SENSOR OPERATED SOAP OPTION
5	7000-006-000	DRAIN ADAPTER GASKET
6	7003-180-000	DRAIN ADAPTER
7	7000-415-000	#8-32 SELF RETAINING J-NUT
8	7003-950-199	MOUNTING BRACKET
9	7003-900199	BACK PANEL
10	7003-520-010	APRON ASSEMBLY - GRAY
	7003-522-001	APRON ASSEMBLY - STAINLESS STEEL
11	7003-007-199	SUPPORT STRUT
12	2590-100-007	9VCD VALVE ASSEMBLY w/ 0.5 GPM FLOW CONTROL
13	0124-031-000	#8 x 3/8" LONG HEX WASHER HEAD SCREW
14	7003-035-299	COVER - STAINLESS STEEL
	7003-951-020	COVER - GRAY
15	7014-291-005	BACKSPLASH MOUNTING PLATE
16	0116-123-000	#10-32 x 1" LONG BUTTON HEAD SCREW
17	7014-330-002	BACKSPLASH
18	7014-257-000	BOTTOM TRIM
19	0710-735-001	120VAC/9VCD PLUG-IN TRANSFORMER
20	0710-358-001	BATTERY PACK (6 AAA BATTEIES NOT INCLUDED)
21	7003-592-000	120VAC WATER HEATER
	7003-591-000	240VAC WATER HEATER

Repairs must be made with Murdock Manufacturing parts only. Please order through your local representative or distributor. The phone number to locate your local representative is 1.800.591.9360.